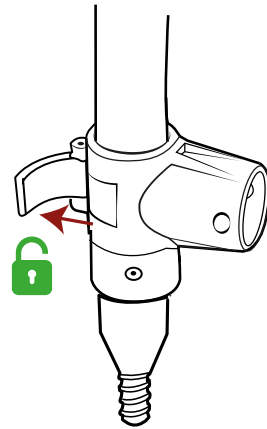
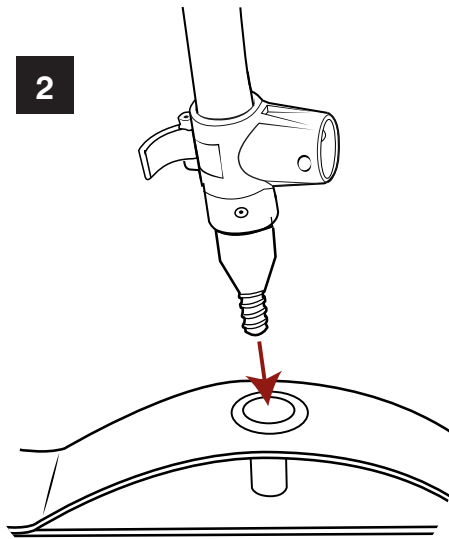


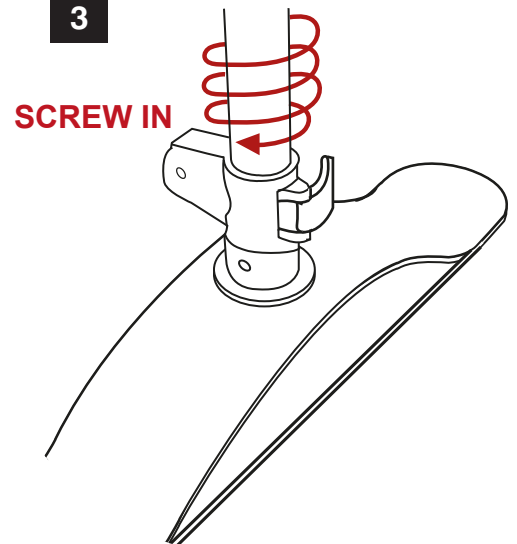
1



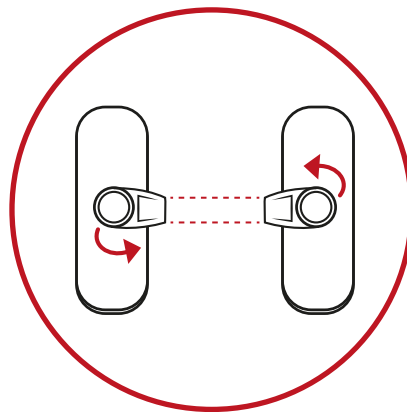
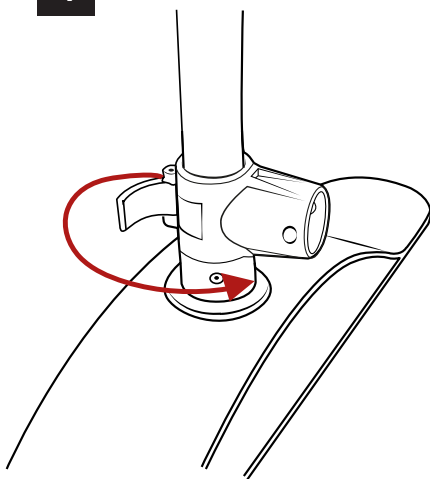
2



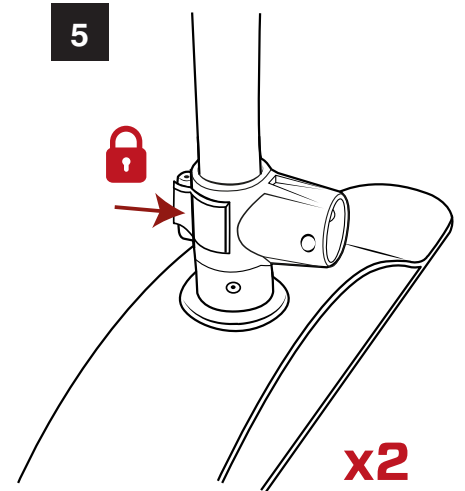
3



4

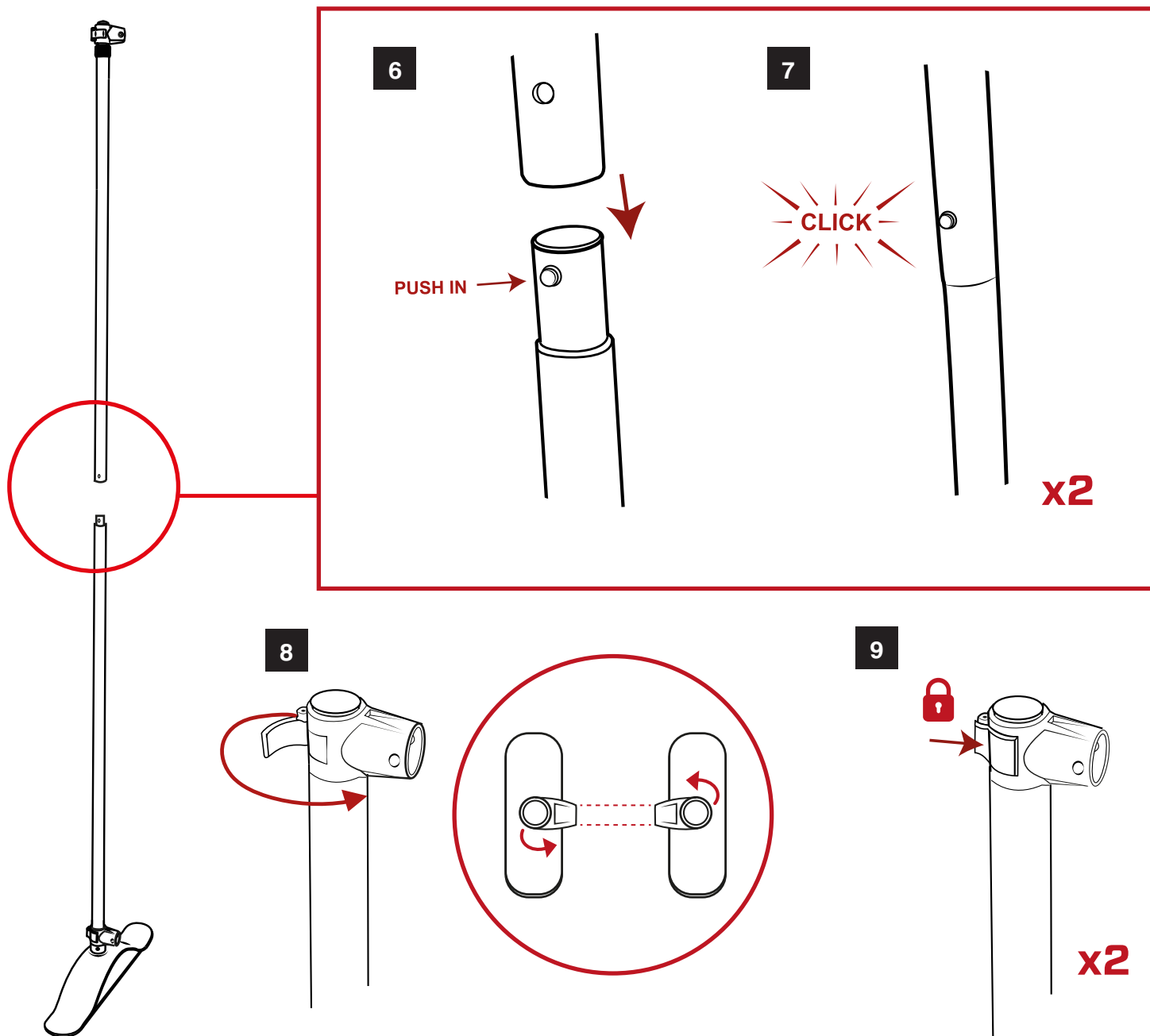


5

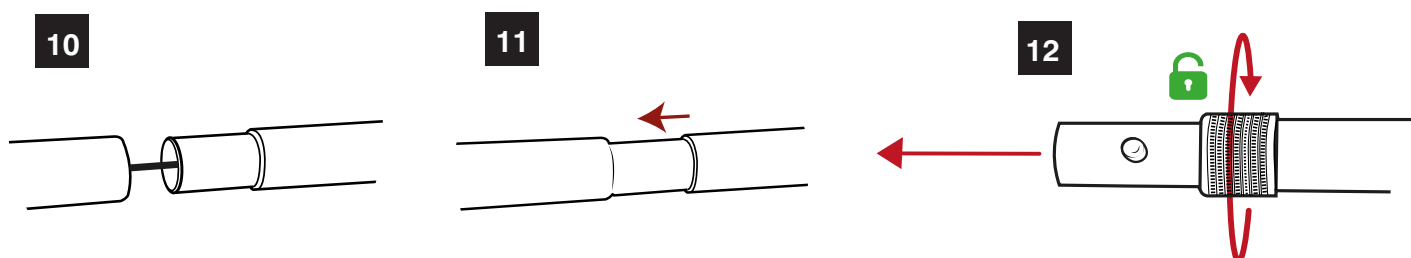


x2

ASSEMBLING VERTICAL POLES

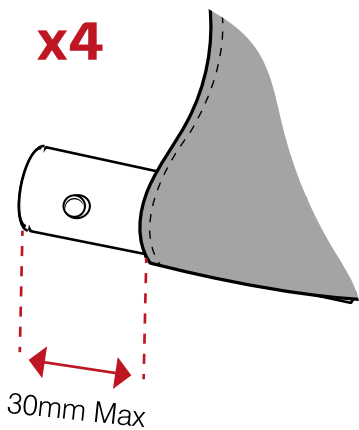


ASSEMBLING HORIZONTAL POLES

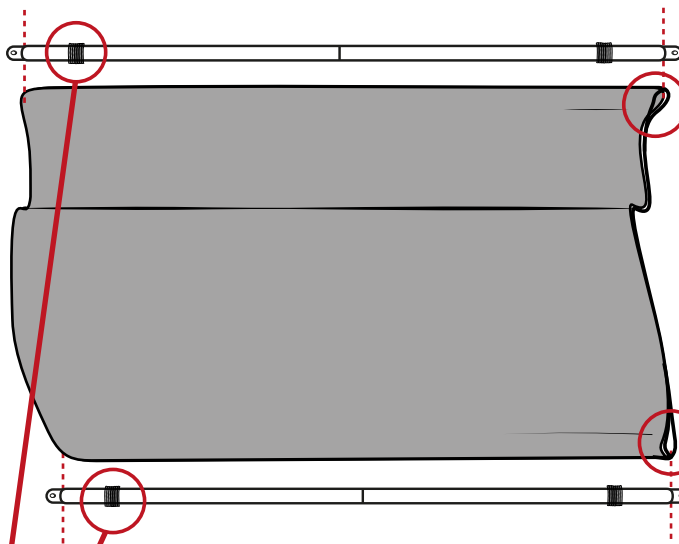


IMPORTANT

x4

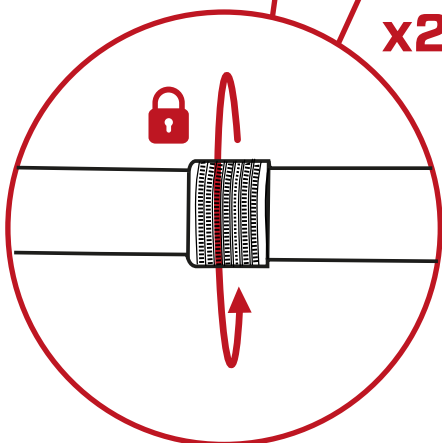


INSERTING INTO GRAPHIC



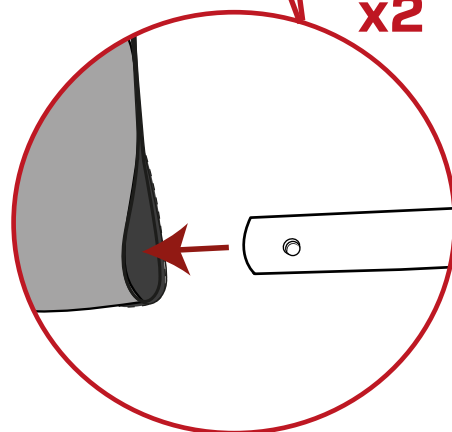
x2

13

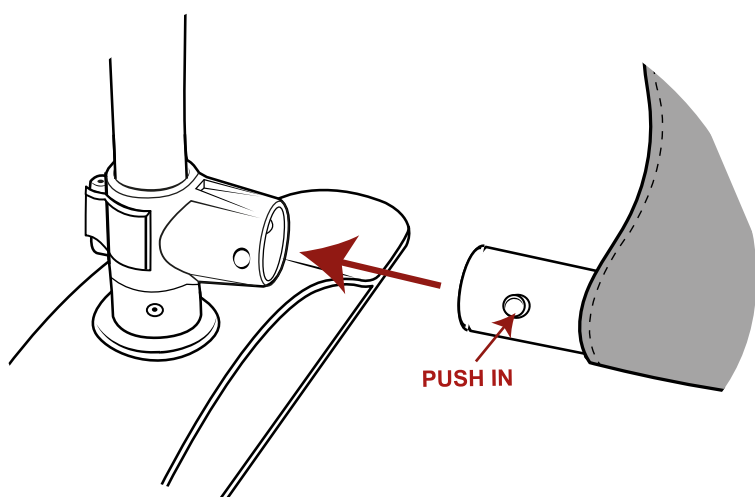


x2

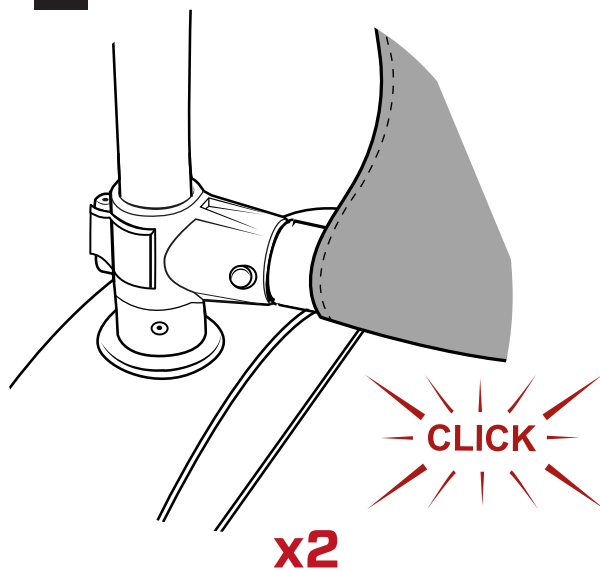
14



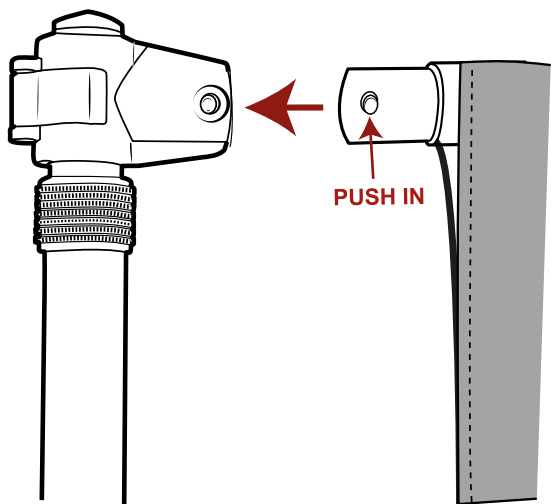
15



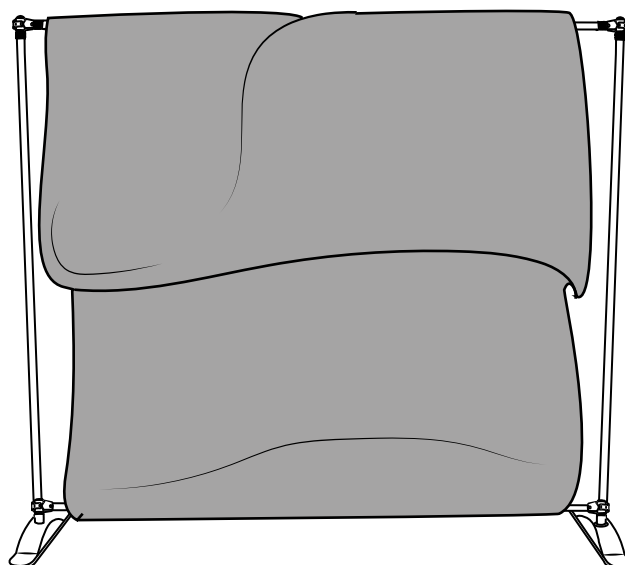
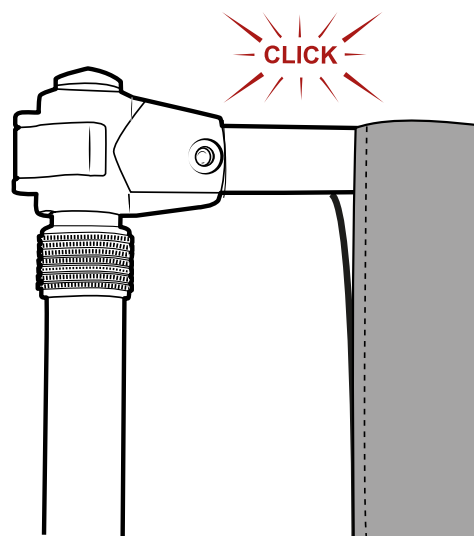
16



17

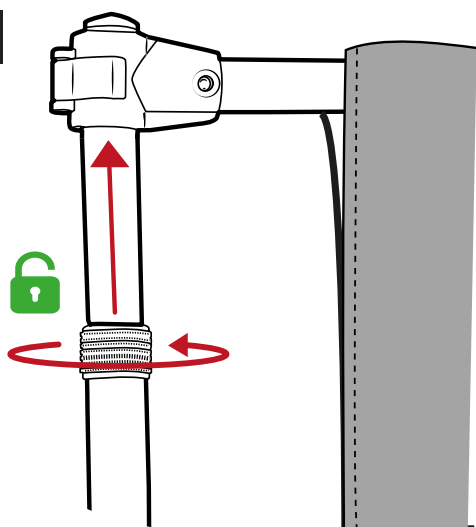


18



ADJUSTING THE FRAME

19



20

